

A
DET

DRIP EDGE
PRAIRIE PANEL



Spengler

INDUSTRIES

Lifetime Warranty Building Envelopes
 5066 W Amelia Earhart Drive
 Salt Lake City, UT 84116
 801 – 462 – 5264
www.SpenglerIndustries.com

No.	DESCRIPTION	Date	Made
1	Design	01/28/20	E.O.

Spengler Industries

PRAIRIE - PANELS

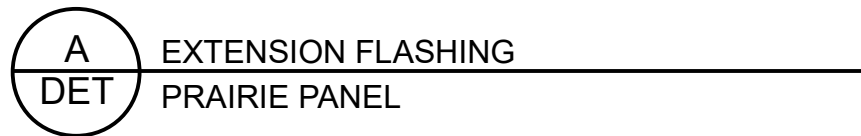
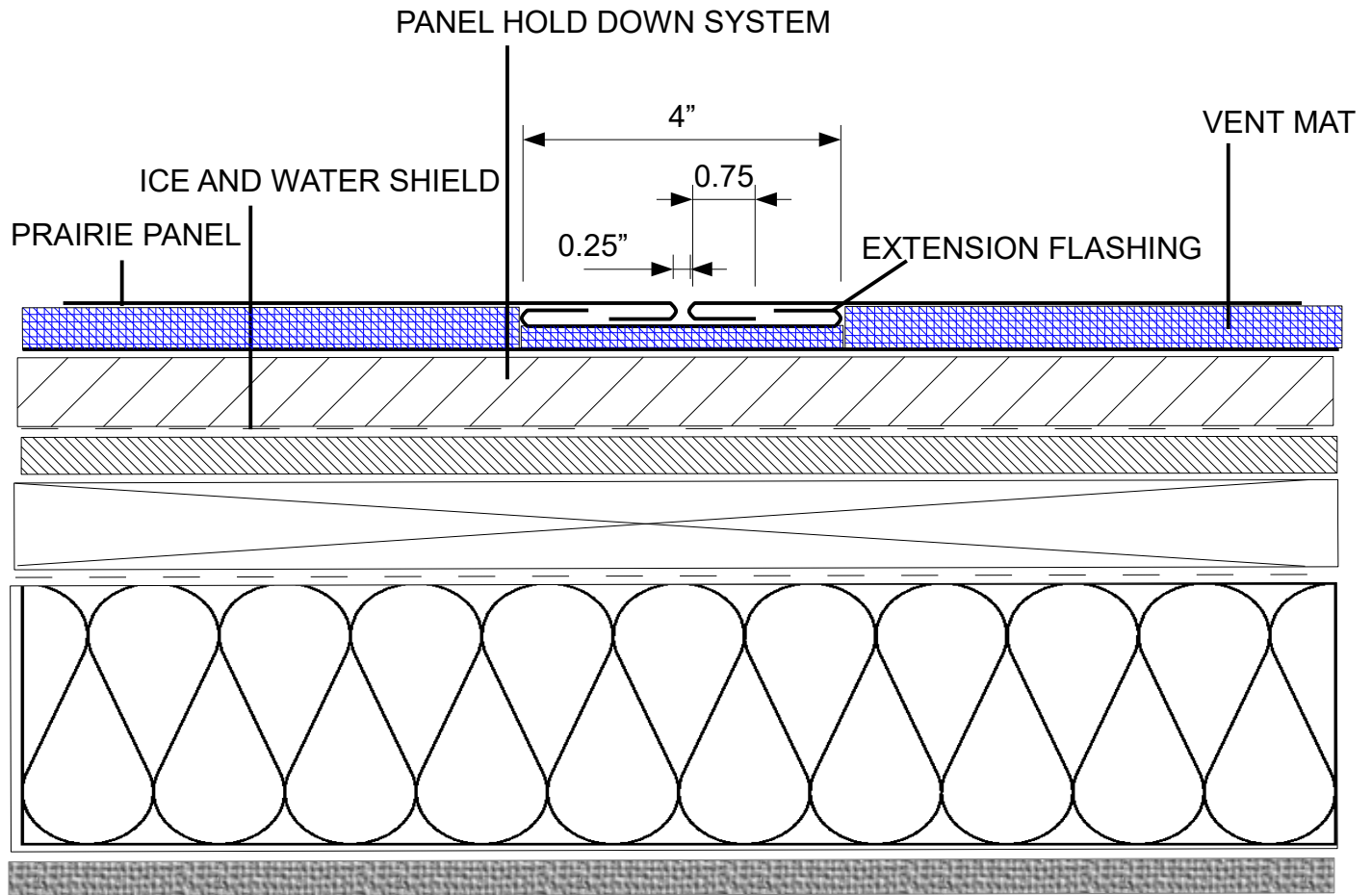
Metal Roofing

Standard Details

Cold Roof

Sheet Title Details
Scale Not to scale
Job
Sheet

This document is property of Spengler Industries and should not be used, duplicated or modified Without the written consent. Copyright 2019 Spengler Industries All Rights Reserved



Spengler
INDUSTRIES

Lifetime Warranty Building Envelopes
5066 W Amelia Earhart Drive
Salt Lake City, UT 84116
801 - 462 - 5264
www.SpenglerIndustries.com

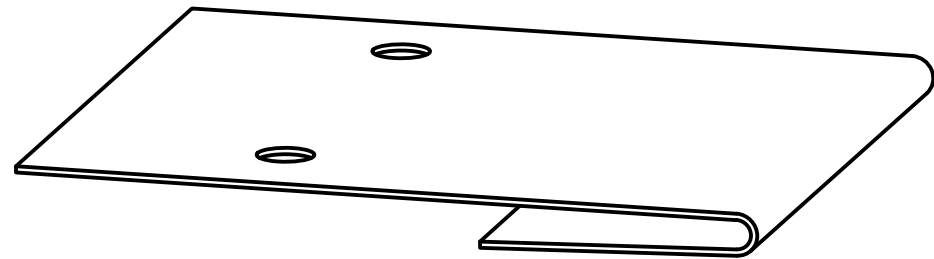
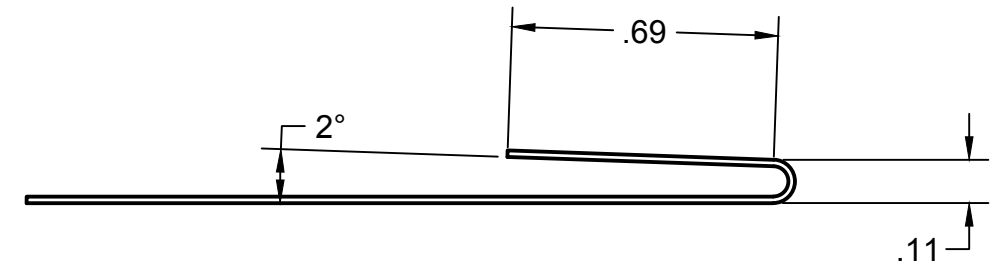
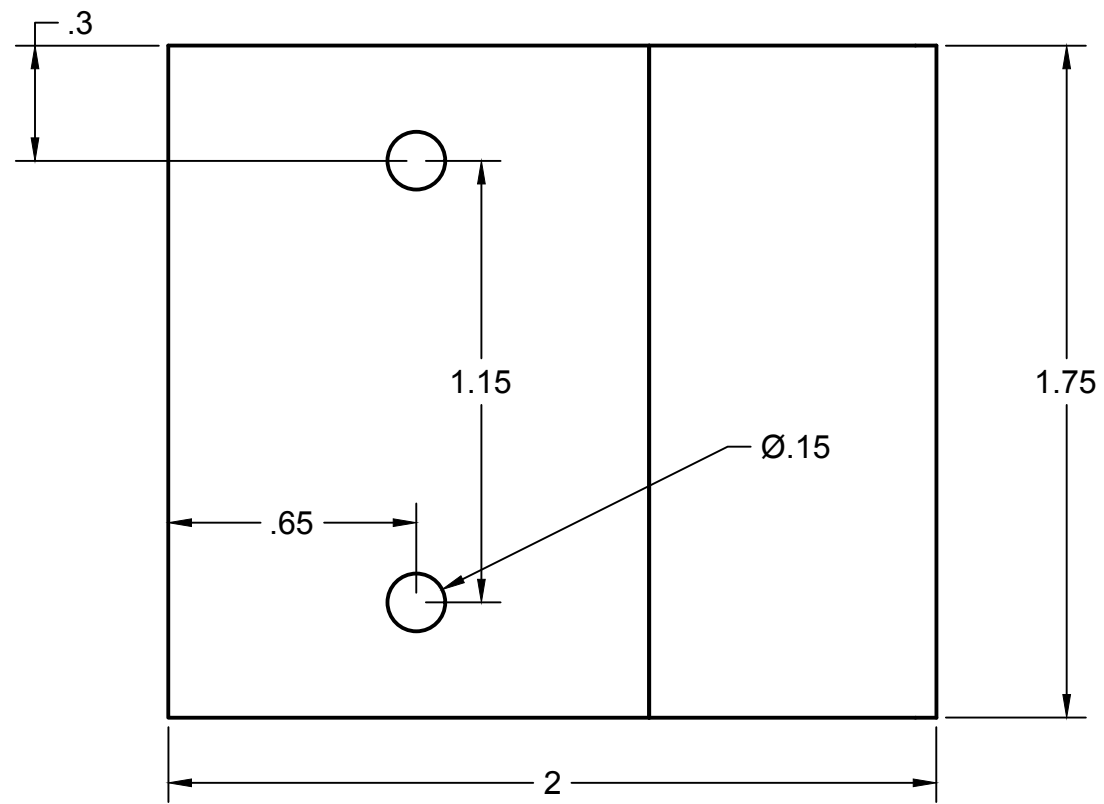
No.	DESCRIPTION	Date	Made
1	Design	01/28/20	E.O.

Spengler Industries
PRAIRIE - PANELS
Metal Roofing
Standard Details

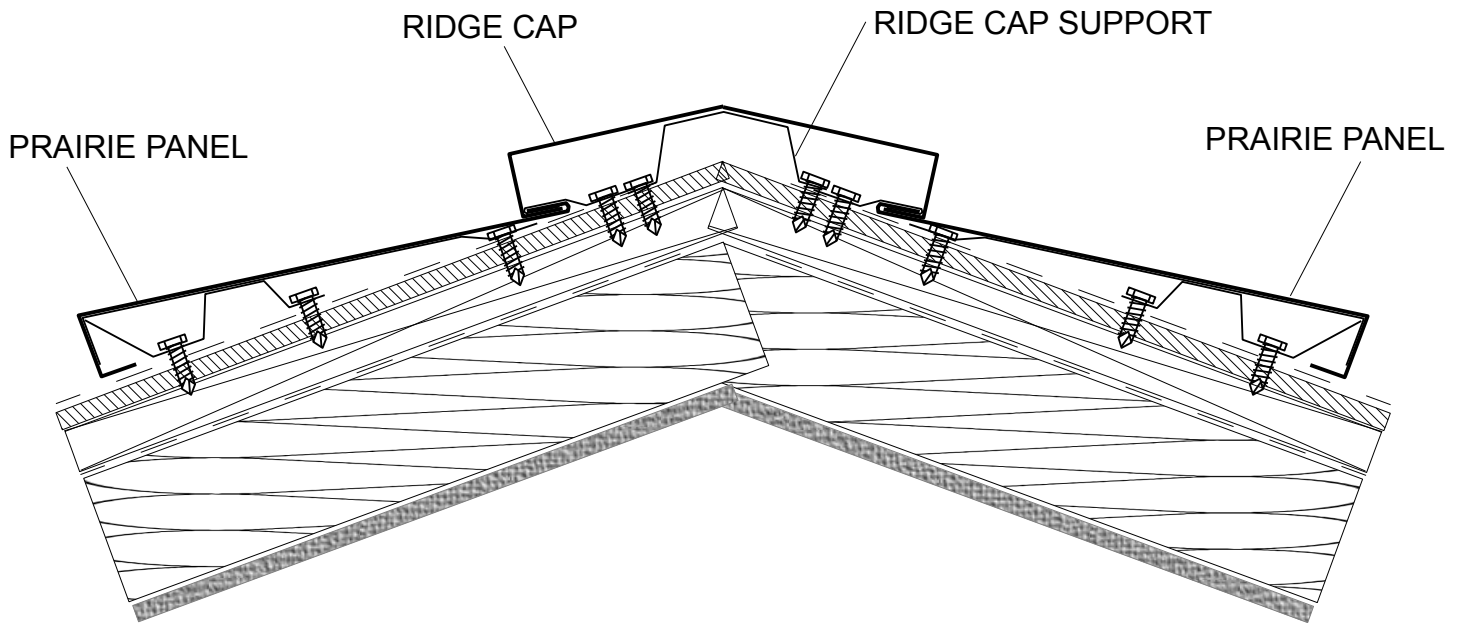
Cold Roof

Sheet Title Details
Scale Not to scale
Job
Sheet

This document is property of Spengler Industries and should not be used, duplicated or modified Without the written consent. Copyright 2019 Spengler Industries All Rights Reserved



Spengler Industries	PROJECT Product Designs			
	TITLE Prairie Panel SS Clips			
APPROVED	SIZE	CODE	DWG NO	REV
CHECKED	B			
DRAWN	Erno Ovari	8/17/2020	SCALE 2:1	WEIGHT
				SHEET 1/1



A
DET

RIDGE CAP - UNVENTED

PRAIRIE PANEL



SPENGLER
INDUSTRIES

Lifetime Warranty Building Envelopes
 5066 W Amelia Earhart Drive
 Salt Lake City, UT 84116
 801 - 462 - 5264
 www.SpenglerIndustries.com

No.	DESCRIPTION	Date	Made
1	Design	01/28/20	E.O.

Spengler Industries
PRAIRIE - PANELS
 Metal Roofing
 Standard Details

Cold Roof

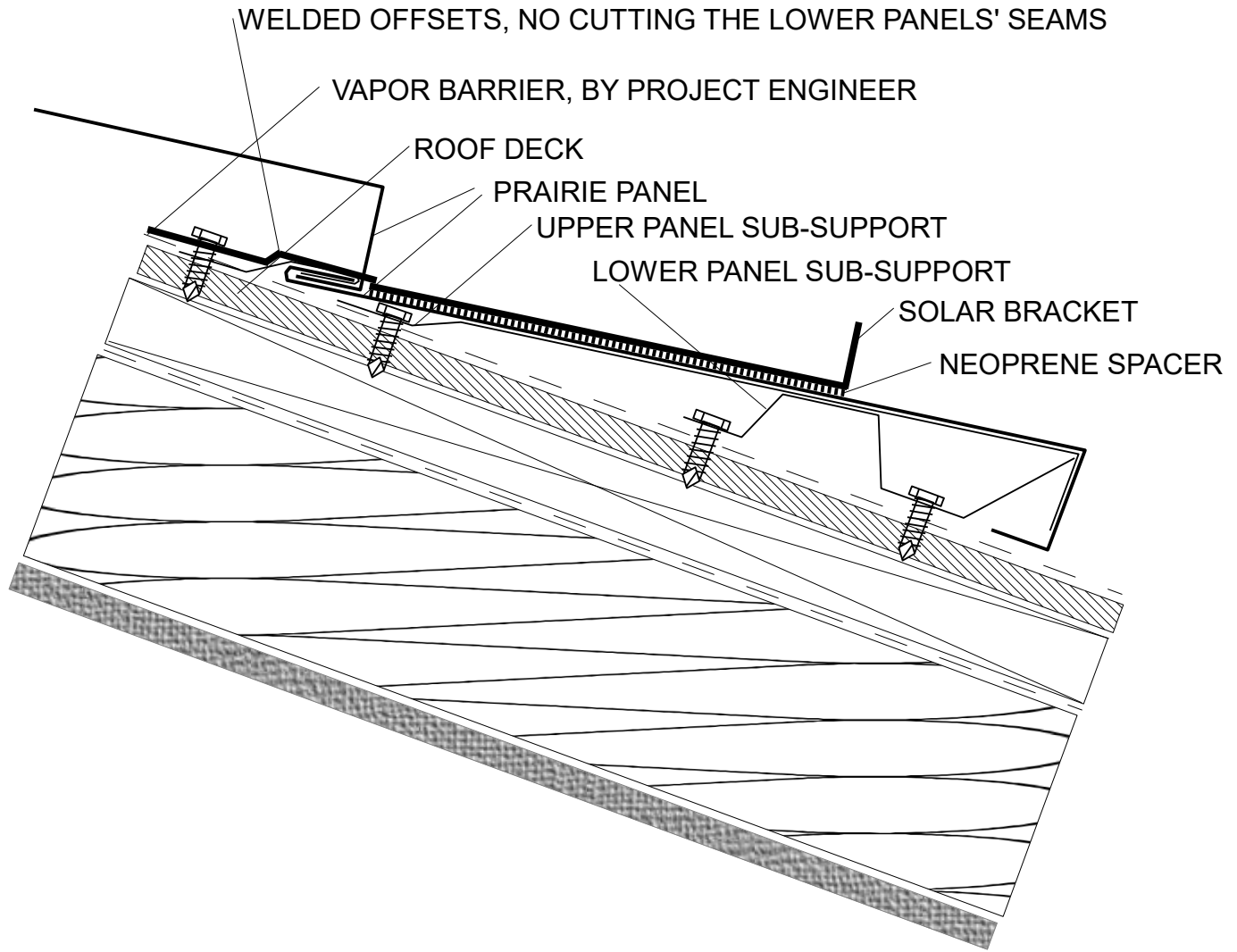
Sheet Title
 Details

Scale
 Not to scale

Job

Sheet

This document is property of Spengler Industries and should not be used, duplicated or modified Without the written consent. Copyright 2019 Spengler Industries All Rights Reserved



A DRIP EDGE
DET PRAIRIE PANEL



Spengler
INDUSTRIES

Lifetime Warranty Building Envelopes
5066 W Amelia Earhart Drive
Salt Lake City, UT 84116
801 - 462 - 5264
www.SpenglerIndustries.com

No.	DESCRIPTION	Date	Made
1	Design	01/28/20	E.O.

Spengler Industries
PRAIRIE - PANELS
Metal Roofing
Standard Details

Cold Roof

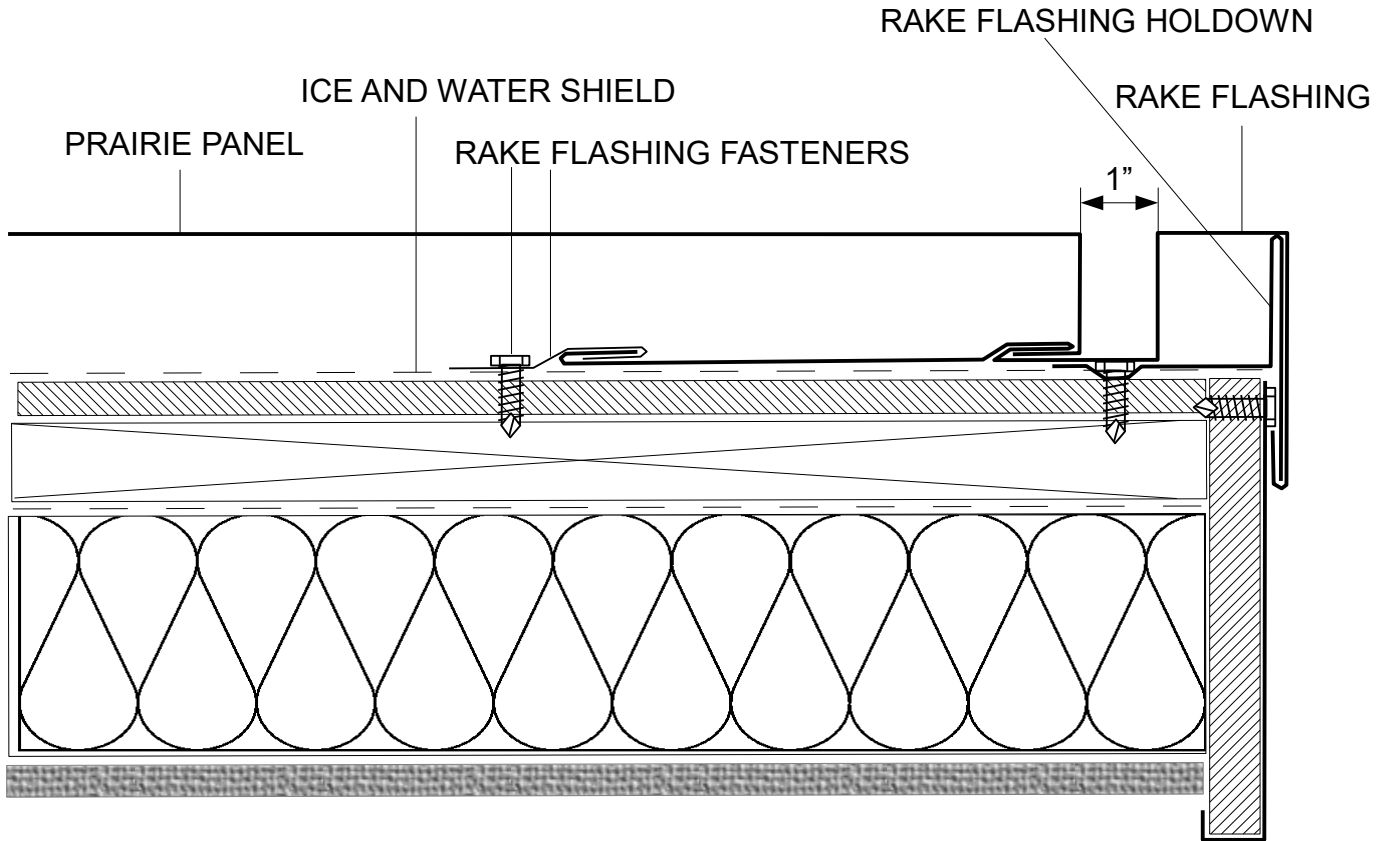
Sheet Title
Details

Scale
Not to scale

Job

Sheet

This document is property of Spengler Industries and should not be used, duplicated or modified Without the written consent. Copyright 2019 Spengler Industries All Rights Reserved



A RAKE FLASHING
DET PRAIRIE PANEL



Spengler
INDUSTRIES

Lifetime Warranty Building Envelopes
5066 W Amelia Earhart Drive
Salt Lake City, UT 84116
801 - 462 - 5264
www.SpenglerIndustries.com

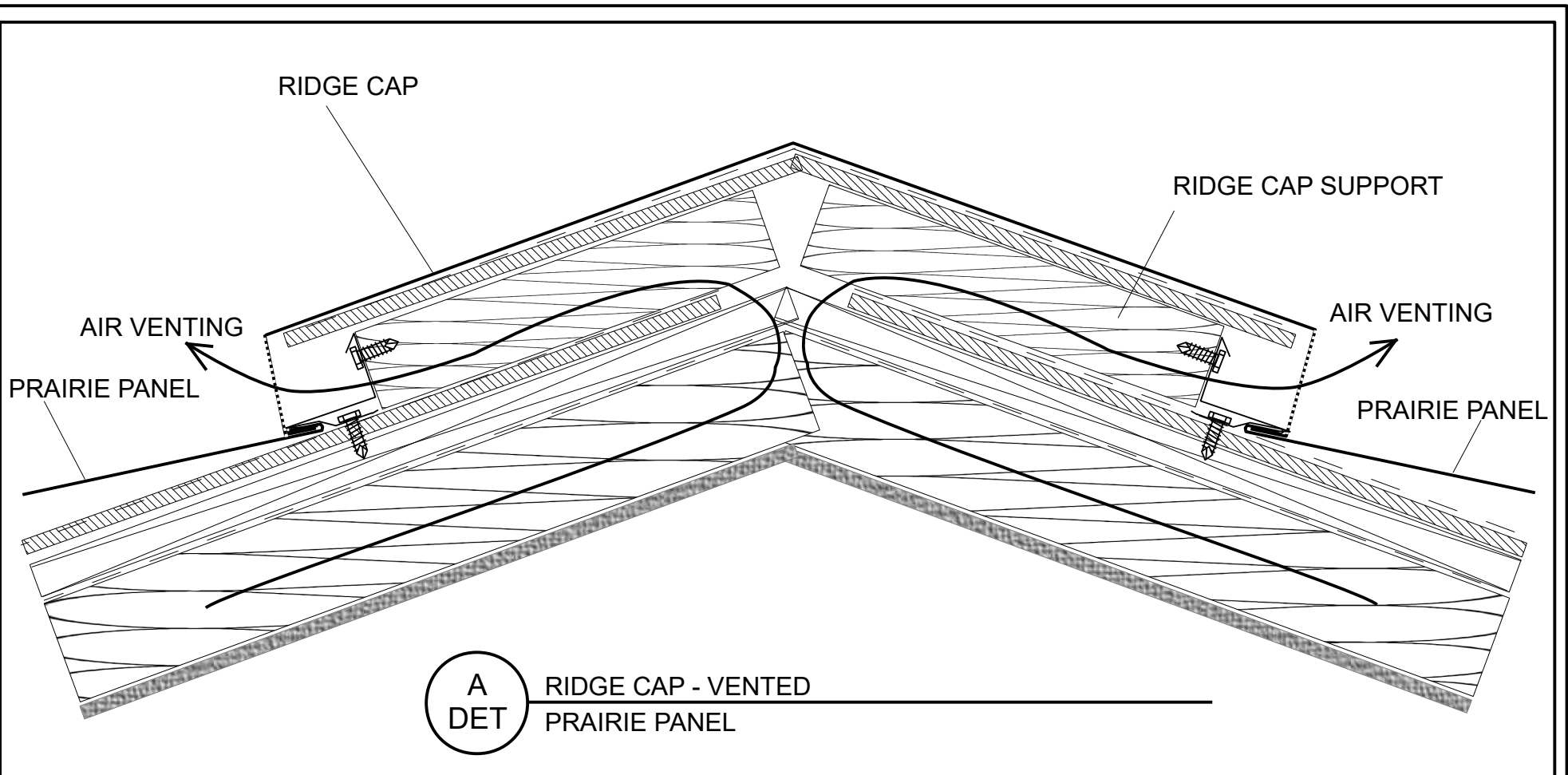
No.	DESCRIPTION	Date	Made
1	Design	01/28/20	E.O.

Spengler Industries
PRAIRIE - PANELS
Metal Roofing
Standard Details

Cold Roof

Sheet Title Details
Scale Not to scale
Job
Sheet

This document is property of Spengler Industries and should not be used, duplicated or modified Without the written consent. Copyright 2019 Spengler Industries All Rights Reserved




Spengler
INDUSTRIES

Lifetime Warranty Building Envelopes
5066 W Amelia Earhart Drive
Salt Lake City, UT 84116
801 - 462 - 5264
www.SpenglerIndustries.com

This document is property of Spengler Industries and should not be used, duplicated or modified Without the written consent. Copyright 2019 Spengler Industries All Rights Reserved

No.	DESCRIPTION	Date	Made
1	Design	01/28/20	E.O.

Spengler Industries
PRAIRIE - PANELS
Metal Roofing
Standard Details

Cold Roof

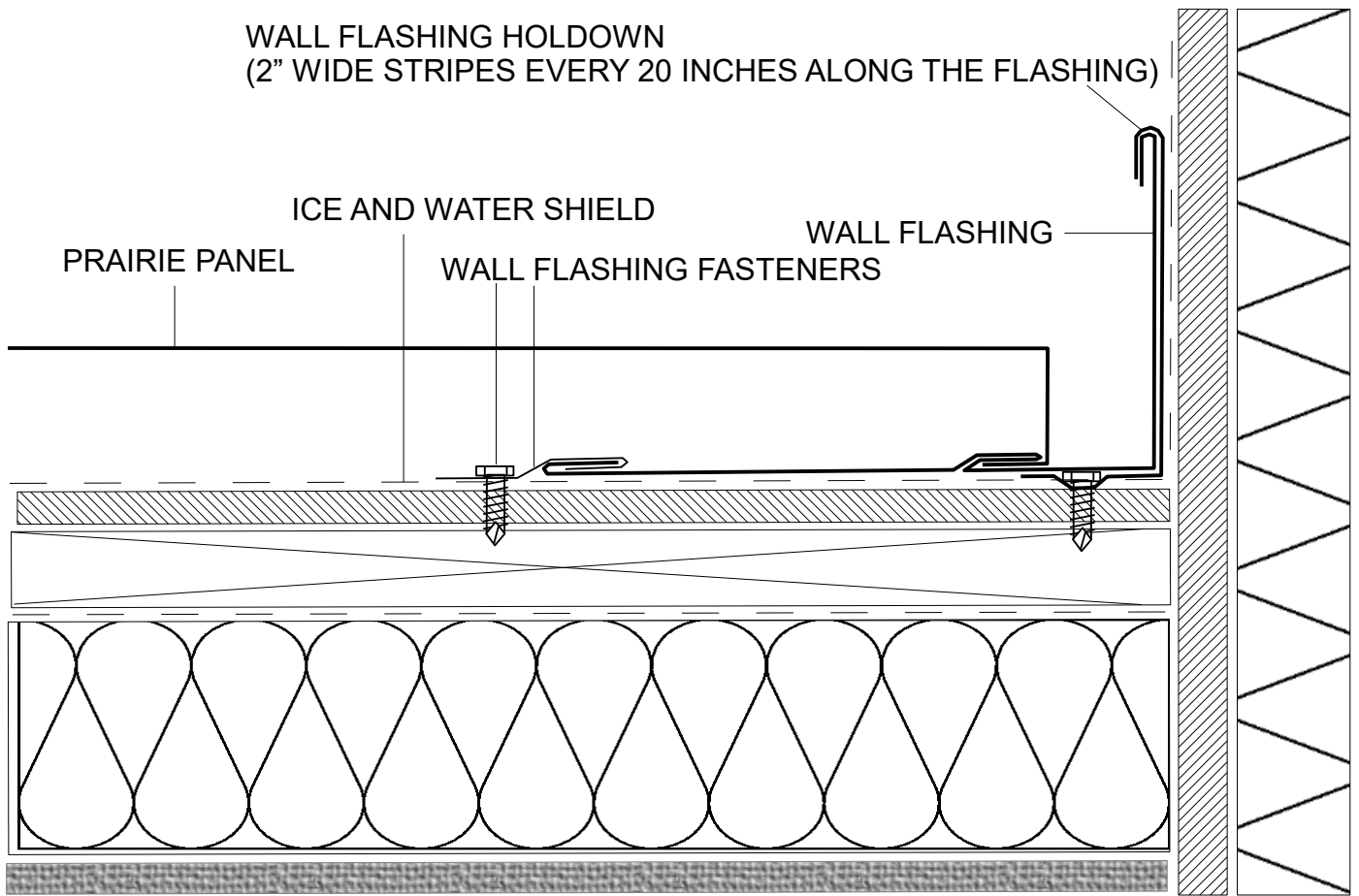
Sheet Title
Details

Scale
Not to scale

Job

Sheet

WALL FLASHING HOLDOWN
(2" WIDE STRIPES EVERY 20 INCHES ALONG THE FLASHING)



A WALL FLASHING
DET PRAIRIE PANEL



Spengler
INDUSTRIES

Lifetime Warranty Building Envelopes
5066 W Amelia Earhart Drive
Salt Lake City, UT 84116
801 - 462 - 5264
www.SpenglerIndustries.com

No.	DESCRIPTION	Date	Made
1	Design	01/28/20	E.O.

Spengler Industries
PRAIRIE - PANELS
Metal Roofing
Standard Details

Cold Roof

Sheet Title Details
Scale Not to scale
Job
Sheet

This document is property of Spengler Industries and should not be used, duplicated or modified Without the written consent. Copyright 2019 Spengler Industries All Rights Reserved